

9102 Self-Aligning Mounts

FEATURES

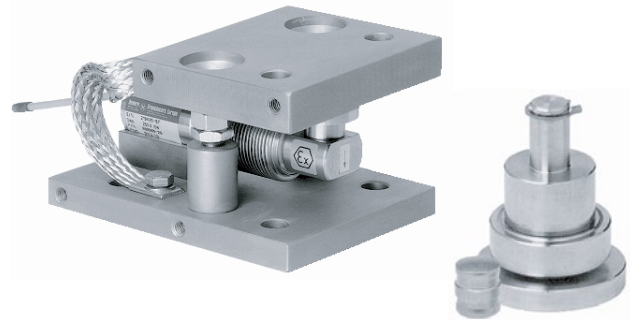
- Capacities: 50–2500 lbs
- Hardened components at all bearing surfaces
- Rocker pin load introduction
- Built-in horizontal movement control and lift-off protection
- Load cell (re)placement after installation of the mount
- **Optional**
 - Stainless steel or nickel-plated steel versions available
 - Stay rod assembly

APPLICATIONS

- Process control
- Batch weighing
- Silo/hopper weighing
- Belt scale weighing

DESCRIPTION

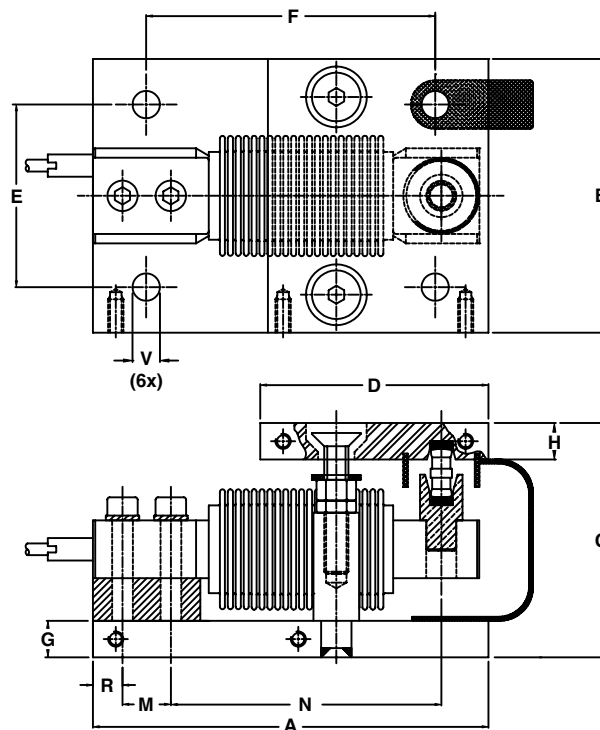
The 9102 self-aligning silo mount, combined with the 9102 load cell family, provides high accuracy weighing assemblies suitable for process control, batch weighing, silo/hopper, and belt scale applications.



The 9102 foot assembly is an ideal solution for medium capacity belt, pallet, and platform scales.

The 9102 mount and foot are based on a rocker pin design, combining excellent load introduction to the transducer with an overall low profile. Hardened components are used at all load bearing surfaces. The stainless steel construction guarantees long-term reliability, even in the harshest environments.

OUTLINE DIMENSIONS in millimeters



CAPACITY	50–200 lbs	500–2500 lbs
A	130	160
B	90	120
C	77	90
D	75	100
E	60	80
F	95	100
G	12	15
H	12	20
R	9.7	25.8
M	15.9	25.4
N	88.9	82.6
V	Ø9	Ø14

Model 9102 Mount

Revere

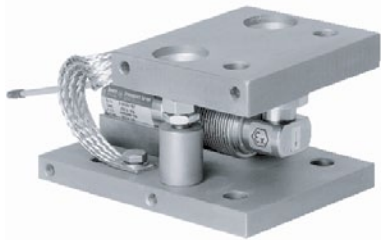


9102 Self-Aligning Mounts

ACCESSORIES

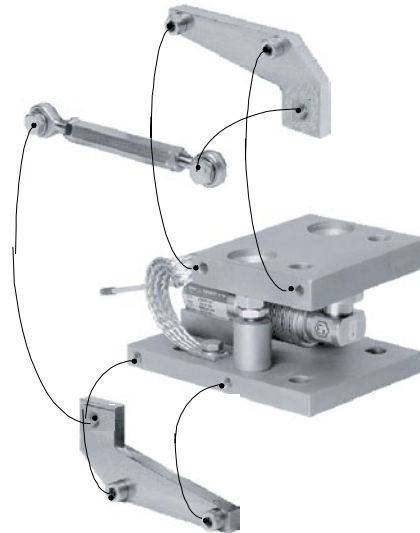
Self-Aligning Mount

The 9102 mount permits controlled horizontal movement in all directions. The design allows the load cell to be (re)placed after installation of the mount. The critical load introduction area is mechanically protected.



Stay Rod Assembly

If major load movement is anticipated, stay rods should be used to restrain a platform or vessel. The 9102 stay rod assembly can be bolted to the mount prior to, or after its installation.



Height Adjustable Foot

The stainless steel foot, which has 5 mm of height adjustment, provides excellent load introduction to the load cell. The foot allows flexibility in platform design without compromising overall system performance.



ADDITIONAL INFORMATION			
MOUNT/FOOT	50/200 lbs	500-1000 lbs	2500 lbs
Self-aligning mount			
Height, LC + assembly (mm)	77	90	90
Outline drawing – stainless steel	499049-10	499052-10	499053-10
Outline drawing – nickel-plated	499049-00	499052-00	499053-00
Assembly guidelines	AG 10/06-106/02	AG 10/06-107/02	
Height adjustable foot			
Height, LC + assembly (mm)	64+5	74+5	74+5
Outline drawing – stainless steel	499071	499072	499073
Stay rod assembly			
Outline drawing – stainless steel	499061-10	499068-10	499068-10
Outline drawing – nickel-plated	499061-00	499068-00	499068-00
Assembly guidelines	AG 09/06-202/02	AG 10/06-200/02	